

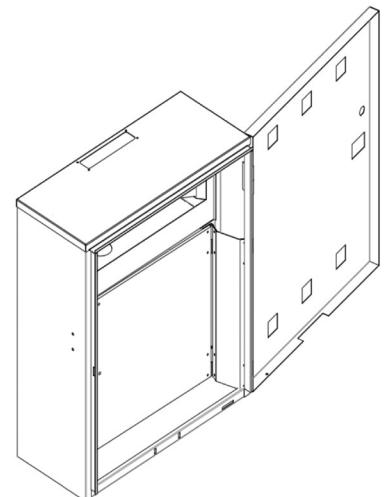
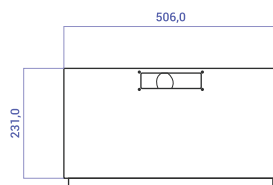
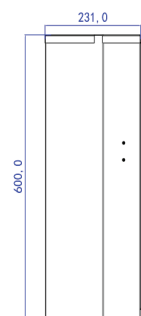
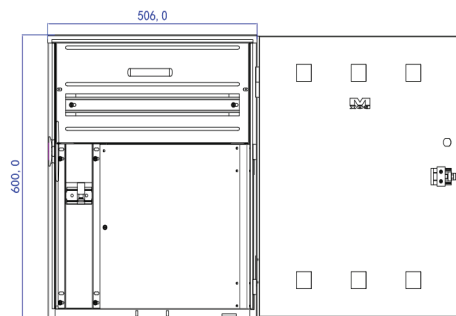
# MES121NR

Standard Meter Enclosure & Switchboard Range  
SA Type 1



**IP23**

Enclosure Range



## Technical Specifications

Specifications	Width	Height	Depth
Enclosure Size	500	600	250
Meter Panel	350	350	6
Neutral Grid	11 x Ø5mm (Suits up to 10mm) 9 x Ø8mm (Suits up to 25mm)		
Earth Grid	10 x Ø5mm (Suits up to 10mm) 1 x Ø8mm (Suits up to 25mm)		

SA Type 1 Rebated or Non-Rebated					
Product	Order Code	Meter Isolator	DIN	MCB Rating	Quantity
SA Type 1	MES121NR	Not Supplied	21 Pole	No MCB Supplied	1
SA Type 1 with Single Phase MI	MES121NR-MI	Yes	21 Pole	1P 63A 6kA	1
SA Type 1 with Three Phase MI	MES121NR-MI3P	Yes	21 Pole	3P 63A 6kA	1

Accessory/Spare Parts	Order Code	Description	Quantity
SA Type 1 - Rain Hood (Suits SA Type2)	RHS1	▶ Rain Hood - Powder Coated Steel (Non Rebated Only)	1
SA Type 1 - 1000mm Plinth (Suits SA Type2)	PLS1-100	▶ Plinth - 3mm Powder Coated Steel 1m High (Non Rebated Only)	1
SA Type 1 - 750mm Plinth (Suits SA Type2)	PLS1-75	▶ Plinth - 3mm Powder Coated Steel 0.75 m High (Non Rebated Only)	1

## KEY FEATURES

- ▶ SA Power Network Approved
- ▶ Designed to meet AS3000 Standard
- ▶ IP23 Protection Rating
- ▶ Powdercoat Finish (RAL7035)
- ▶ Pre-drilled Type X Meter Panel (H350mm x W350mm)
- ▶ Full 21 Module DIN Capacity Switchboard
- ▶ Quality Hinged Door (Removable)
- ▶ Generous Wiring Room & Cable Access Top / Bottom
- ▶ 3 Additional Neutral Connections Provided For RCD
- ▶ Parts Bag Included
- ▶ Provision for Lockable door
- ▶ 63A Meter Isolator
- ▶ Optional XL wide panel
- ▶ Available In Rebated Option
- ▶ Optional Plinth & Rain Hood For Free Standing Application (Straight Sided Only)